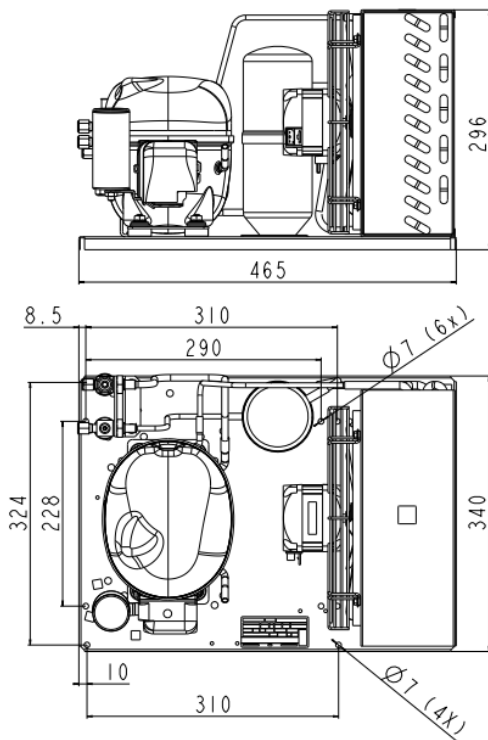


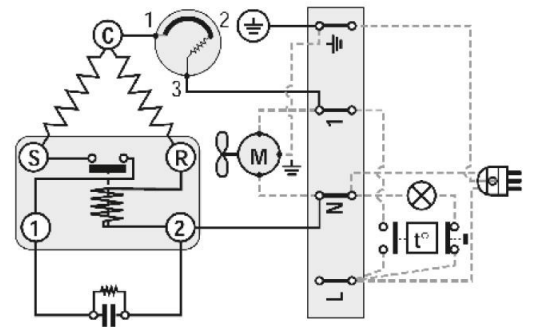
GENERAL DATA

Application:	M/HBP
Refrigerant:	R404A
Expansion Device:	C-V
Weight:	21.4 kg
Receiver:	1.1 liter
Voltage/Frequency:	220 - 240 V 50 ~
Height:	21.4 mm
Length:	465 mm
Width:	340 mm
Institute Approvals:	CE

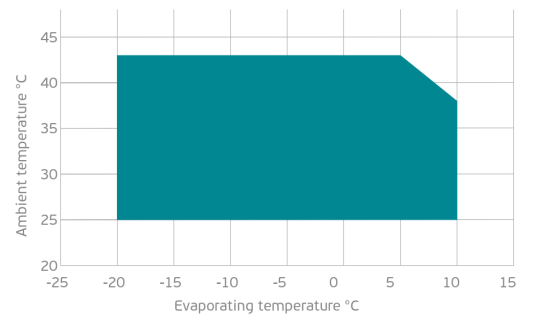
EXTERNAL DIMENSIONS



WIRING DIAGRAM



OPERATING ENVELOPE



COMPONENTS (SPARE PARTS)

condenser:	3R11T	2451206
valve_suca:	FLARE 3/8"	2110059
compressor:	NEK6210GK	958CA51..AM

fankit:	16W 254/28/5B	1996610
valve_disch:	FLARE 1/4"	2110085
elkit:	ELKOM NEK6210GK	958CA51N1A

For additional accessories please contact our technical support

ELECTRICAL DATA

Motor Type:	CSIR -
Locked Rotor Amperage (LRA):	16.1 A
Max.Current:	3.91 A

At maximum evaporating temperature and maximum ambient temperature.

FAN MOTOR

Number:	1 -
Shaft Power:	16 W
Air Flow:	595 m ³ /h
Blade Diameter:	254 mm

PERFORMANCE CURVE DATA

Standard: EN13215-RG20 / return gas 20°C, subcooling 3K

50 Hz

	Evaporating Temperature (°C)	Cooling Capacity (W)	Power Consumption (W)	Current Consumption (A)	Efficiency (W/W)
25 °C Ambient Temperature	10°C	1 480	635	3.78	2.33
	5°C	1 304	586	3.57	2.23
	0°C	1 135	541	3.39	2.10
	-5°C	973	499	3.22	1.95
	Rated point -10°C	820	460	3.08	1.78
	-15°C	677	424	2.96	1.60
	-20°C	544	390	2.85	1.40
32 °C Ambient Temperature	10°C	1 294	685	3.98	1.89
	5°C	1 142	630	3.74	1.81
	0°C	996	579	3.53	1.72
	-5°C	858	533	3.35	1.61
	Rated point -10°C	729	489	3.18	1.49
	-15°C	610	449	3.03	1.36
	-20°C	501	410	2.91	1.22
43 °C Ambient Temperature	5°C	906	691	3.98	1.31
	0°C	787	634	3.74	1.24
	-5°C	676	580	3.52	1.16
	Rated point -10°C	573	531	3.32	1.08
	-15°C	480	485	3.15	0.99
	-20°C	398	442	3.00	0.90